



## User's Guide

PS2

Power Supply

PD2

Power Distributor

### ◆SAFETY PRECAUTIONS◆

Be sure to read these precautions before using this product in order to insure safe operation of the equipment.

Keep this User's Guide on hand for future reference whenever you may need it.

### ◆安全上のご注意◆

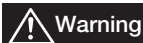
機器を安全にご使用いただくため、ご使用前にこの取扱説明書を必ずお読みください。

そのあとは大切に保管し、必要になったときにお読みください。

# SAFETY PRECAUTIONS

Please be sure to observe. The safety precautions listed below are intended to ensure your safety whenever you use the equipment.

- Precaution text is generally accompanied by the following symbols to alert you and others to the risk of personal and material injury that may be caused if the precaution is ignored.



**Warning**

This symbol indicates an item that can result in death or serious personal injury if ignored.



**Caution**

This symbol indicates an item that can result in serious personal injury or material damage if ignored.

- Precaution text is generally accompanied by the following icons to alert you and others to things you should or should not do.



.....

A triangle indicates something you should be careful about.



..... A circle with a line through it indicates something you should not do.



.....

A black circle indicates something you must do.



## Warning



**NEVER USE ANY OTHER VOLTAGE THAN SPECIFIED.**

This equipment is for AC120V only. (Use of any other voltage creates the danger of fire and electrical shock.)



# Warning



## USE SPECIFIED AC ADAPTOR ONLY

Be sure to use the specified AC adaptor only. (Use of any other adaptors creates the danger of fire and electrical shock.)

- Ask your original dealer or nearest authorized service provider if you are not sure about "specified" adaptor.



Keep away from water

## NEVER USE THE EQUIPMENT IN BATHROOMS

Never use the equipment in bathrooms or other areas subject to water or high humidity. (Doing so creates the danger of fire and electrical shock.)



## WATER AND FOREIGN OBJECTS

Stop using the equipment whenever water or foreign objects ever get into the equipment. (Letting water or foreign objects into the equipment creates the danger of fire and electrical shock.)



Unplug

- Unplug AC adaptor from the power source.

- Contact your original dealer or nearest authorised service provide for inspection and service.



## IN CASE OF A PROBLEM

Stop using the equipment whenever you notice smoke or strange odor coming from it. (Continued use creates the danger of fire and electrical shock.)



Unplug

- Immediately unplug AC adaptor from the power source.

- After making sure the equipment has stopped making smoke or odor, contact your original dealer or nearest authorised service provider for service.



Unplug

## DROPPED EQUIPMENT

Never use the dropped or partly damaged equipment. (Continued use creates the danger of fire and electrical shock.)

- Unplug AC adaptor from the power source.

- Contact your original dealer or nearest authorised service provider for inspection and service.



Never disassemble

## DISASSEMBLY

Never try to remove the bottom cover or to modify the equipment. (Internal components of the equipment use high voltages, and exposing them creates the danger of fire and electrical shock.)

- Contact your original dealer or nearest authorised service provider for inspection and service.



# Caution



## POWER CORDS AND HEAT SOURCES

Keep power cords away from sources of heat (heaters, irons, etc.). (Intense heat can melt power cord insulation, creating the danger of fire and electrical shock.)



## SPECIFIED CABLES

Use only the cables specified in this User's Guide to interconnect equipment modules. (Use of other cables and extension cables than specified generates heat, creating the danger of burns.)

•Ask your original dealer or nearest authorized service provider if you are not sure about "specified" cables.



Unplug

## LEAVING THE EQUIPMENT UNATTENDED

Whenever leaving the equipment unattended for long periods, be sure to unplug AC adaptor from the power source for your safety. (Leaving the equipment unattended while it is plugged in creates the danger of fire.)



## VOLUME SETTINGS

Set the volume to a low level before turning on the equipment. (Sudden output at high volume can damage hearing.)



## UNSTABLE SURFACES

Never place the equipment on an unstable or slanted surface. (Doing so can cause it to fall or drop, creating the danger of personal injury.)



## HUMIDITY AND DUST

Avoid leaving the equipment in kitchen areas subject to oil vapor and steam or in areas subject to high humidity or large amounts of dust. (Such conditions creates the danger of fire and electrical shock.)



## HIGH TEMPERATURES

Never leave the equipment in closed motor vehicle, in areas subject to direct sunlight, or any other areas subject to high temperatures. (Doing so has unfavorable effect on the equipment, creating the danger of fire.)



# Caution



## CLEANING THE EQUIPMENT

Before cleaning the equipment, be sure to pull out the plug from the power source. (Cleaning work with the plug connected to the power source creates the danger of electrical shock.)



Contact your original dealer or nearest authorized service provider to request check and cleaning of the interior of the equipment once every three years. It is advisable to do so before rainy season. (Dust built up inside the equipment can create the danger of fire and malfunction.)



## YOUNG CHILDREN

Never allow children to step on the equipment. (Doing so can result in equipment damage or personal injury.)



Watch your fingers



## UNPLUGGING THE EQUIPMENT

Never try to unplug the power cord or AC adaptor while your hands are wet. (Doing so creates the danger of electrical shock.)



When unplugging AC adaptor from the power source, grasp the adaptor body. (Pulling on the adaptor power cord can damage it and create the danger of fire and electrical shock.)



Unplug

## MOVING THE EQUIPMENT

Whenever moving the equipment, be sure to unplug AC adaptor from the power source and disconnect all connecting cords. (Leaving the equipment connected when moving it can result in damage to cords and create the danger of fire and electrical shock.)



## STACKING THE EQUIPMENT

Never place any types of object on the equipment. (Objects on the equipment can fall off, creating the danger of personal injury. The shape or weight of an object placed on the equipment can block heat from being vented, creating the danger of deformation of the cover or case, as well as fire and electrical shock.)

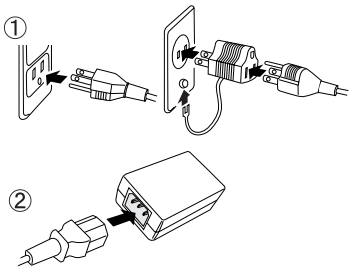
# PS2 Power Supply

- PS2 Power Supply is a large-capacity DC power distribution system for effect pedals. PS2 consists of AC2009 Adaptor, PD2 Power Distributor and DC cords.
- Provides power for up to 7 effect pedals with maximum 2000mA. PS2's compact-sized body makes it easily adaptor to almost any pedalboard. By adding an optional PD2, PS2 can provide power for up to 13 effect pedals.
- Auto-voltage sensing allows operation on 100VAC-240VAC, making PS2

## Part Name / How to Use

### AC2009 (AC Adaptor)

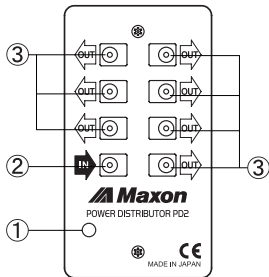
- ① AC2009 power plug should be connected to AC outlet with ground. If you do not have AC outlet with ground, use a 2-pin adaptor. Connect green/yellow (or green) ground wire of 2-pin adaptor to ground terminal of the AC outlet. Be sure that guitar amplifier is turned off before connecting/disconnecting the AC2009 power plug.
- ② Connect the power cord plug to the inlet of AC2009. Be sure that guitar amplifier is turned down before connecting/disconnecting the power cord plug.



### PD2 (Power Distributor)

- ① Power LED

Blue LED lights at normal function. There is 1 - 2 sec. of time lag before the LED actually lights. It is OK if the LED blinks on and off several times, and then lights after. In this case, consumption current is temporarily over 2000mA by inrush current of effect pedal which uses vacuum tube.



perfect for worldwide touring musicians. Main countries' safety standard approved.

- Employs DC voltage stabilizer and over-current protector with auto-restoration method.
- 10 pcs. of DC cord with 5 different lengths are included to make your wiring easy.
- Employs an easy-to-see blue LED status indicator for power condition (on/off).

If the LED does not light or it keeps blinking, the function is not normal. In this case, disconnect the AC adaptor plug from AC outlet immediately. Go through the following steps: If the LED blinks continuously, consumption current is over 2000mA. Reduce the number of effect pedals and make the total consumption current under 2000mA. If the problem is not solved by this, check DC cord or DC plug. There is a possibility that these are short-circuited.

#### ② DC IN (DC input jack)

Be sure to connect the provided AC adaptor to DC IN. Do not connect it to DC OUT.

#### ③ DC OUT (DC output jack)

DC IN of each effect pedal should be connected to DC OUT with the provided DC cord. Be sure that DC INPUT of your effect pedal is 9VDC and the plug size which fits the DC jack is internal

dia. 2.1mm, external dia. 5.5mm, length 9.5mm, polarity; center negative/sleeve positive. Connecting effect pedal that works with any other voltage or has different polarity DC input jack creates the danger of malfunction and failure. Be sure that total consumption current does not exceed 2000mA. In order to avoid short-circuiting, unused DC cables should be removed from PD2, or their plugs covered with the provided caps.

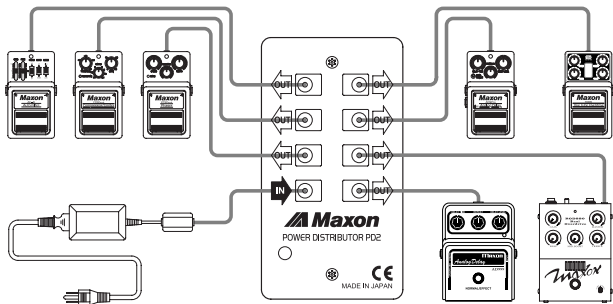
#### Caution

⚠ Total consumption current should be under 2000mA. Excess current may cause enclosure deformation, fire and electrical shock.

⚠ Be sure that guitar amplifier is turned off before connecting / disconnecting the AC adaptor plugs and DC plugs. Otherwise, a sudden loud sound that may cause a hearing loss could occur.

⚠ Be sure to use the specified AC cord. If unspecified AC cord is used, it creates the danger of fire and electrical shock.

# Connection Diagram



# PS2 Specifications (Power Distributor + AC Adaptor + DC Cord)

## PD2 (POWER DISTRIBUTOR)

- DC IN : X1 Center negative (-), Sleeve positive (+) Suitable plug size: internal dia. 2.1mm / external dia. 5.5mm / length 9.5mm
- DC OUT : X7 Center negative (-), Sleeve positive (+) Suitable plug size: internal dia. 2.1mm / external dia. 5.5mm / length 9.5mm
- Power LED : X1 (blue)
- Dimension : 60 (W) × 112 (D) × 37 (H) mm
- Weight : approx. 180g

## AC2009 AC adaptor

- Input : 100 - 240V~, 50-60Hz, 0.6A (AC100V~, 50-60Hz, 36VA)
- Output : DC9V (≡) 2.0A
- DC plug : Center negative (-), Sleeve positive (+) Suitable plug size: internal dia. 2.1mm / external dia. 5.5mm / length 9.5mm
- Dimension : 50 (W) × 80 (D) × 31 (H) mm
- Weight : approx. 185g

## Accessory power supply cord

- AC cord : X1
- Weight : Part No. ACCJ for Japan approx. 80g  
(Weight differs depending on the AC cord type.)



AC plug type of AC2009 varies with the suffix as shown below.  
 AC2009 AN for Australia, New Zealand. AC2009 C for China. AC2009 J for Japan.  
 AC2009 K for South Korea.  
 AC2009 N for USA, Canada.  
 AC2009 U for Austria, Belgium, Denmark, Finland, France, Germany, Italy,  
 Netherlands, Norway, Sweden, Switzerland, etc.  
 AC2009 UK for United Kingdom.

### Accessory DC cord

Angle-type at both ends, plug size: internal dia. 2.1mm / external dia. 5.5mm / length 9.5mm

DCC65AA	: AA-type approx. 65cm×2	DCC35AA	: AA-type approx. 35cm×2
DCC55AA	: AA-type approx. 55cm×2	DCC25AA	: AA-type approx. 25cm×2
DCC45AA	: AA-type approx. 45cm×2		

## Optional Power Supply Cord

Part No. Major Country

ACCAN : Australia, New Zealand

ACCC : China

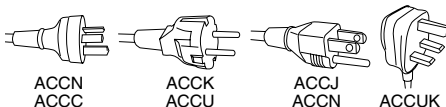
ACCJ : Japan

ACCK : South Korea

ACCN : USA, Canada

ACCU : Austria, Belgium, Denmark, Finland, France, Germany, Italy, Netherlands,  
 Norway, Sweden, Switzerland, etc.

ACCUK : United Kingdom



## Optional DC Cord

Plug size: internal dia. 2.1mm / external dia. 5.5mm / length 9.5mm

Plug type:

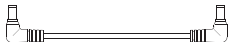
Angle / Angle

Plug type:

Straight / Angle

Plug type:

Straight / Straight



DCC65AA : AA-type approx. 65cm

DCC55AA : AA-type approx. 55cm

DCC45AA : AA-type approx. 45cm

DCC35AA : AA-type approx. 35cm

DCC25AA : AA-type approx. 25cm

DCC65SA : SA-type approx. 65cm

DCC55SA : SA-type approx. 55cm

DCC45SA : SA-type approx. 45cm

DCC35SA : SA-type approx. 35cm

DCC25SA : SA-type approx. 25cm

DCC65SS : SS-type approx. 65cm

DCC55SS : SS-type approx. 55cm

DCC45SS : SS-type approx. 45cm

DCC35SS : SS-type approx. 35cm

DCC25SS : SS-type approx. 25cm

\* All specifications are subject to change for improvement without notice or obligation.

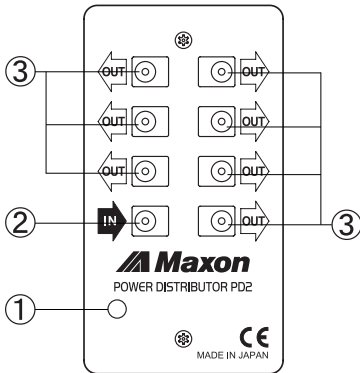
## PD2 Power Distributor

- PD2 Power Distributor is a DC power distribution system to add more effect pedals. PD2 consists of PD2 and DC cords.
- 10 pcs. of DC cord with 5 different length are included to make your wiring easy.

## Part Name / How to Use

### ① Power LED

Blue LED lights at normal function. There is 1 - 2 sec. of time lag before the LED actually lights. It is OK if the LED blinks on and off several times, and then lights after. In this case, consumption current is temporarily over 2000mA by inrush current of effect pedal with uses vacuum tube. If the LED does not light or it keeps blinking, the function is not normal. In this case, disconnect the plug of AC adaptor from AC outlet immediately. Go through the following steps. If the LED blinks continuously, consumption current is over 2000mA. Reduce the number of effect pedals and make the total consumption current under 2000mA. If the problem is not solved by this, check DC cord or DC plug: There is a possibility that these are short-circuited.



- Employs an easy-to-see blue LED of power condition indicator (on/off).

### ② DC IN (DC Input Jack)

Be sure to connect the AC adaptor to DC IN. Do not connect it to DC OUT.

### ③ DC OUT (DC output jack)

DC IN of each effect pedal should be connected to DC OUT with the provided DC cord. Be sure that DC INPUT of your effect pedal is 9VDC and the plug size which fits the DC jack is internal dia. 2.1mm, external dia. 5.5mm, length 9.5mm, polarity; center negative/sleeve positive. Connecting effect pedal that works with any other voltage or has different polarity DC input jack creates the danger of malfunction and failure.

Be sure that total consumption current does not exceed 2000mA.

In order to avoid short-circuiting, unused DC cables should be removed from PD2, or their plugs covered with the provided caps.

### Caution

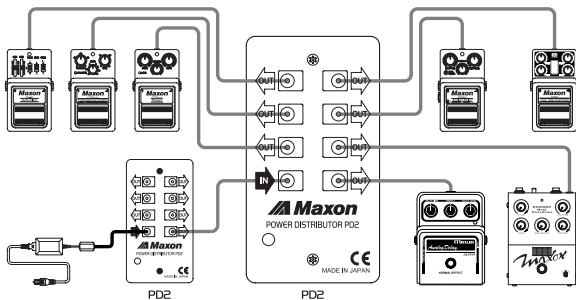
⚠ Total consumption current should be under 2000mA. Excess current may cause enclosure deformation, fire and electrical shock.

⚠ Be sure to turn your effect pedal volume down or off before connecting/disconnecting the AC adaptor: Equipment malfunction may occur with a large signal.

⚠ Be sure that guitar amplifier is turned off before connecting/disconnecting the AC adaptor plugs and DC plugs. Otherwise, a sudden loud sound that may cause a hearing loss could occur.

⚠ Be sure to use the specified AC cord. If unspecified AC cord is used, it creates the danger of fire and electrical shock.

# Connection Diagram



## PD2 Specifications (Power Distributor + DC Cord)

### PD2 (POWER DISTRIBUTOR)

- DC IN : ×1 Center negative (-), Sleeve positive (+) Suitable plug size:  
internal dia. 2.1mm / external dia. 5.5mm / length 9.5mm
- DC OUT : ×7 Center negative (-), Sleeve positive (+) Suitable plug size:  
internal dia. 2.1mm / external dia. 5.5mm / length 9.5mm
- Power LED : ×1 (blue)
- Dimension : 60 (W) × 112 (D) × 37 (H) mm
- Weight : approx. 180g

### Accessory DC cord

Angle-type at both ends, plug size : internal dia. 2.1mm / external dia. 5.5mm / length 9.5mm

- DCC65AA : AA-type approx. 65cm × 2
- DCC55AA : AA-type approx. 55cm × 2
- DCC45AA : AA-type approx. 45cm × 2
- DCC35AA : AA-type approx. 35cm × 2
- DCC25AA : AA-type approx. 25cm × 2

## Optional DC cord

Plug size: internal dia. 2.1mm / external dia. 5.5mm / length 9.5mm

Plug type:

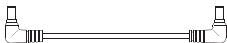
Angle / Angle

Plug type:

Straight / Angle

Plug type:

Straight / Straight



DCC65AA : AA-type approx. 65cm

DCC55AA : AA-type approx. 55cm

DCC45AA : AA-type approx. 45cm

DCC35AA : AA-type approx. 35cm

DCC25AA : AA-type approx. 25cm

DCC65SA : SA-type approx. 65cm

DCC55SA : SA-type approx. 55cm

DCC45SA : SA-type approx. 45cm

DCC35SA : SA-type approx. 35cm

DCC25SA : SA-type approx. 25cm

DCC65SS : SS-type approx. 65cm

DCC55SS : SS-type approx. 55cm

DCC45SS : SS-type approx. 45cm

DCC35SS : SS-type approx. 35cm

DCC25SS : SS-type approx. 25cm

\* All specifications are subject to change for improvement without notice or obligation.



If you want to dispose this product, do not mix with general household waste.

There is a separate collection system for used electronics products in accordance with legislation under the WEEE Directive (Directive 2002/96/EC) and is effective only within European Union.

Maxon shall not be held liable to you or any third party for any losses caused by incorrect operation of this equipment, malfunction or any other failure of this equipment to operate as expected, or normal use of this equipment, except to the extent stipulated by law.

Maxon shall not be held liable to you or any third party for any losses related to concerts, exhibitions, or any other type of event due to malfunction or incorrect operation of this equipment.



NISSHIN ONPA CO., LTD.

4172-1 Shimauchi, Matsumoto-City, Nagano, 390-0851 Japan

TEL:+81-263-40-1403 FAX:+81-263-40-1410

www.maxon.co.jp sales@maxon.co.jp

For North America

www.maxonfx.com info@maxonfx.com

All specifications are subject to change for improvement without notice or obligation.

UMN-PD2-0101A Copyright © 1999-2008 NISSHIN ONPA CO.,LTD. All rights reserved.

July 2008 Printed in Japan